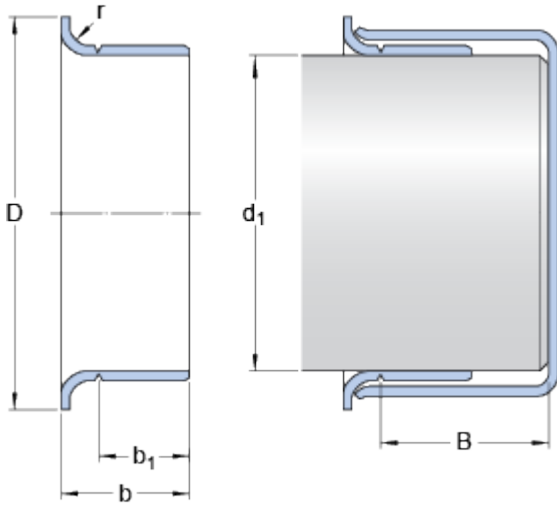


99413

Dimensions



Nominal dimensions

| | | | |
|--------------------------------|-------|---------|----|
| d_1 | | 105 | mm |
| D | | 113.538 | mm |
| Tolerance outside diameter D | \pm | 1.6 | mm |
| b | | 23.19 | mm |
| Tolerance width b | \pm | 0.8 | mm |
| b_1 | | 19.99 | mm |
| Tolerance width b_1 | \pm | 0.8 | mm |
| B | max. | 35.001 | mm |
| r | max. | 3.18 | mm |

Shaft diameter range

| | | | |
|-------|------|---------|----|
| d_1 | min. | 104.902 | mm |
| d_1 | max. | 105.105 | mm |